

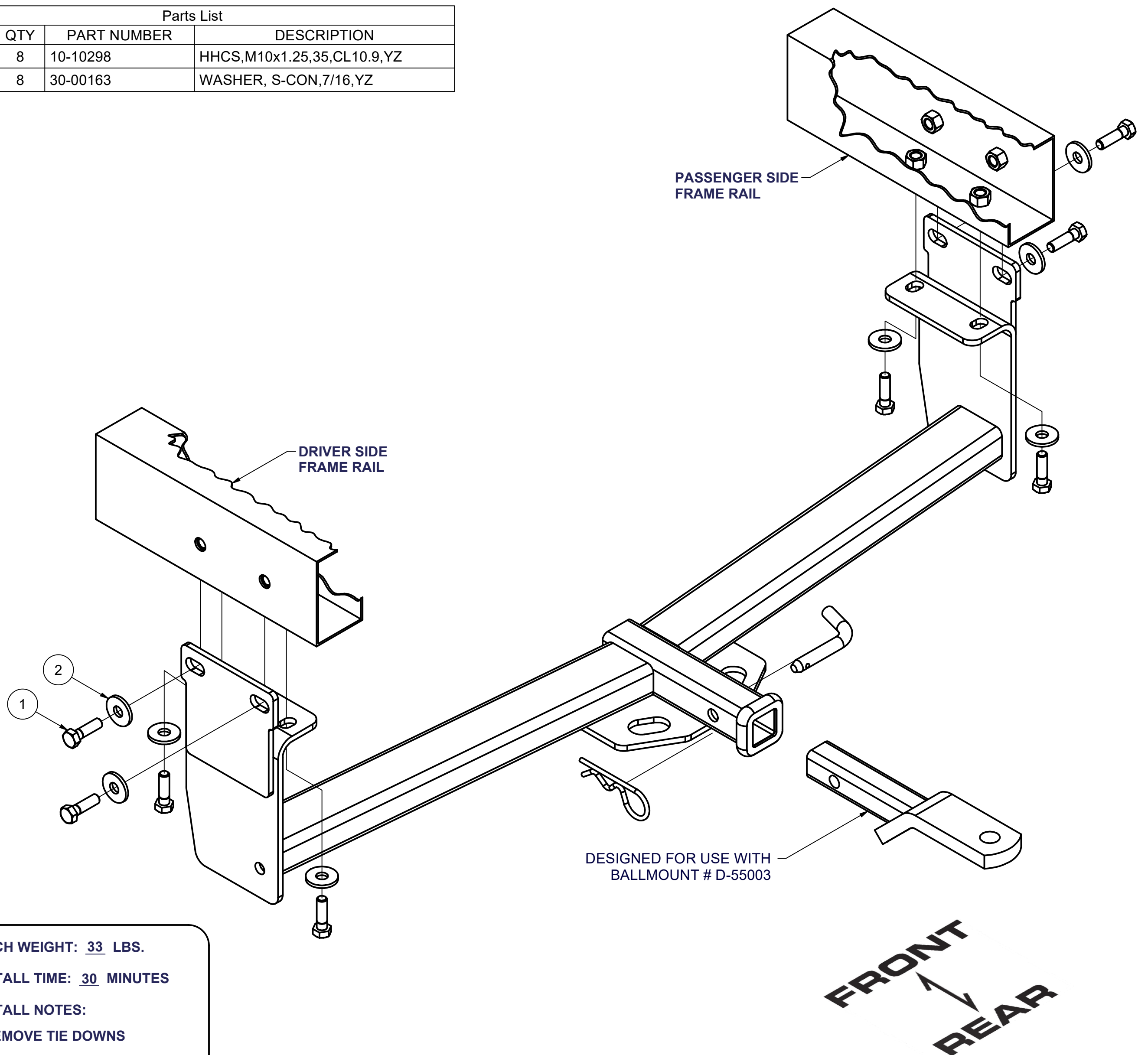
12293

03-06 MITSUBISHI OUTLANDER

10/27/2020

GROSS LOAD CAPACITY WHEN USED AS A WEIGHT CARRYING HITCH: 3,500 LBS. TRAILER WEIGHT & 300 LBS. TONGUE WEIGHT.  
**\*\*\*DO NOT EXCEED VEHICLE MANUFACTURER'S RECOMMENDED TOWING CAPACITY.\*\*\***

Parts List			
ITEM	QTY	PART NUMBER	DESCRIPTION
1	8	10-10298	HHCS,M10x1.25,35,CL10.9,YZ
2	8	30-00163	WASHER, S-CON,7/16,YZ



HITCH WEIGHT: 33 LBS.  
INSTALL TIME: 30 MINUTES  
INSTALL NOTES:  
- REMOVE TIE DOWNS

**INSTALLATION STEPS**

- 1) Remove left and right tie down brackets from vehicle frame rails.
- 2) Position hitch on vehicle frame rails aligning hitch holes with weld nuts. Fasten hitch using fasteners as shown.
- 3) Torque all 10mm fasteners to 48 lb.-ft.

**PERIODICALLY CHECK THIS RECEIVER HITCH TO ENSURE THAT ALL FASTENERS ARE TIGHT AND THAT ALL STRUCTURAL COMPONENTS ARE SOUND.**

Curt Manufacturing Inc., warrants this product to be free of defects in material and/or workmanship at the time of retail purchase by the original purchaser. If the product is found to be defective, Curt Manufacturing Inc., may repair or replace the product, at their option, when the product is returned, prepaid, with proof of purchase. Alteration to, misuse of, or improper installation of this product voids the warranty. Curt Manufacturing Inc.'s liability is limited to repair or replacement of products found to be defective, and specifically excludes liability for incidental or consequential loss or damage.